

KMS Series

Karaoke Speakers

KMS-910 / KMS-710



Yamaha's long experience in audio and acoustic technology has created these extra-high performance karaoke speakers with beautiful tone quality in the mid and high ranges.

- Yamaha's highly advanced speaker technology ensures the highest levels of sound quality and long-term reliability
- Specially developed for best performance in the vocal range
- 450W high power handling capacity (KMS-910)
- 240W high power handling capacity (KMS-710)
- Dual bass reflex ports
- 90dB sensitivity
- Pro studio design with durable body

KMS-1000 / KMS-800



Yamaha's latest karaoke speakers, featuring new materials and sound tuning designed to optimize bass response for karaoke music. Enjoy natural sound reproduction that won't cause listening fatigue.

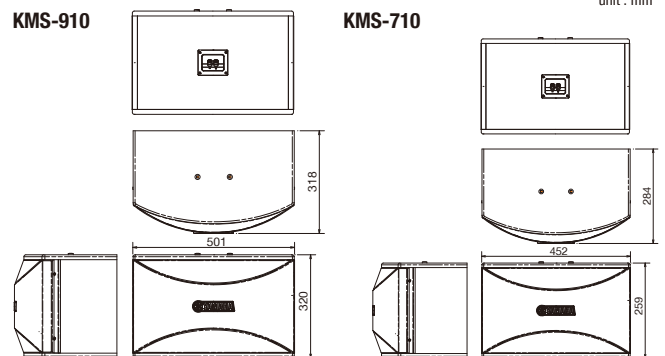
- 2-way bass reflex speaker with 25cm (10") woofer, two 7.7cm (3") tweeters and 480W max power handling (KMS-1000)
- 2-way bass reflex speaker with 20cm (8") woofer, two 7.7cm (3") tweeters and 320W max power handling (KMS-800)
- Woofer response optimized for karaoke through use of new materials and specialized sound tuning
- Waveguide tweeter design provides smooth frequency response and optimum sound dispersion
- Professional design and durability

GENERAL SPECIFICATIONS

Model	KMS-910	KMS-710
Type	2-way bass-reflex	
Woofer	25cm cone	20cm cone
Tweeter	7.7cm cone	
Frequency Response	55 Hz-20 kHz	kHz 60 Hz-20 kHz
Nominal Input Power	150 W	80 W
Maximum Input Power	450 W	240 W
Sensitivity	90 dB/2.83 V/1 m	
Crossover Frequency	2.5 kHz / 15 kHz	2.6 kHz / 15 kHz
Impedance	8 ohms	
Dimensions (W x H x D)	501 x 320 x 318 mm 19-3/4" x 12-5/8" x 12-1/2"	452 x 259 x 284 mm 17-3/4" x 10-1/4" x 11-1/8"
Weight	12.2 kg/unit	8 kg/unit
Packaging	Packaged in pair	

Note: The useful life of the speaker surround depends on usage conditions and environment (especially ultraviolet radiation exposure and humidity), etc.

DIMENSIONS



GENERAL SPECIFICATIONS

Model	KMS-1000	KMS-800
Type	2-way 3-speaker bass-reflex	
Woofer	25cm (10") cone	20cm (8") cone
Tweeters	Two 7.7cm (3") cone	
Frequency Response	50 Hz-20 kHz	55 Hz-20 kHz
Nominal Input Power	150 W	80 W
Maximum Input Power	480 W	320 W
Sensitivity	88 dB/2.83 V/1 m	87 dB/2.83 V/1 m
Crossover Frequencies	1.7 kHz / 15 kHz	2.2 kHz / 15 kHz
Impedance	8 ohms	
Input Terminals	Screw / banana-plug compatible	
Dimensions (W x H x D)	510 x 320 x 318 mm 19-3/4" x 12-5/8" x 12-1/2"	452 x 259 x 284 mm 17-3/4" x 10-1/4" x 11-1/8"
Weight/unit	11.6 kg / 25.6 lbs.	8 kg / 17.6 lbs.
Packaging	Packaged in pair	

• Product designs and specifications are subject to change without notice. • Banana-plug compatible speaker terminals are depending on areas.

DIMENSIONS

