

Thank you for selecting the Yamaha Karaoke Speaker System.

PRECAUTIONS

Read this before using the speaker.

- To assure the finest performance, please read this manual carefully. Keep it in a safe place for future reference.
- Install the speaker in a cool, dry, clean place – away from windows, heat sources, sources of excessive vibration, dust, moisture and cold. Avoid sources of humming (transformers, motors). To prevent fire or electrical shock, do not expose the speaker to rain or water.
- To prevent the enclosure from warping or discoloring, do not place the speaker where it will be exposed to direct sunlight or excessive humidity.
- Do not place the following objects on the speaker:
 - Glass, china, etc.
 - If glass etc. falls by vibrations and breaks, it may cause personal injury.
 - A burning candle etc.
 - If the candle falls by vibrations, it may cause fire and personal injury.
 - A vessel with water in it
 - If the vessel falls by vibrations and water spills, it may cause damage to the speaker, and/or you may get an electric shock.
- Do not place the speaker where foreign objects such as water drips might fall. It might cause a fire, damage to the speaker, and/or personal injury.
- Do not place the speaker where it is liable to be knocked over or struck by falling objects. Stable placement will also ensure better sound performance.
- Placing the speaker on the same shelf or rack as the turntable can result in feedback.
- Any time you note distortion, reduce the volume control on your amplifier to a lower setting. Never allow your amplifier to be driven into "clipping". Otherwise the speaker may be damaged.

- When using an amplifier with a rated output power higher than the nominal input power of the speaker, care should be taken never to exceed the speaker's maximum input.
- Do not attempt to clean the speaker with chemical solvents as this might damage the finish. Use a clean, dry cloth.
- Do not attempt to modify or fix the speaker. Contact qualified Yamaha service personnel when any service is needed. The cabinet should never be opened for any reasons.
- As this unit is heavy, whenever it is moved, two people are required to transport it safely.
- Placing the speaker too close to a CRT-type TV may impair the picture color or cause a buzzing noise. In this case, move the speaker away from the TV. This is not an issue with LCD and plasma TVs.
- When choosing a power amplifier for use with this device, make sure that the output power of the amplifier is lower than the power capacity of this device. Malfunction or fire may occur.
- Even if the output power of the amplifier is lower than the power capacity of this device (program), use of excessive input signals resulting clipping may cause damage to the device. Malfunction or fire may occur especially when the following sounds or noises are generated:
 - feedback, when using a microphone
 - continuous and extreme volume sound from a musical instrument
 - extreme continuous distorted sound
 - noise caused by plugging/unplugging the cable while the amplifier is turned on
- Secure placement or installation is the owner's responsibility. Yamaha shall not be liable for any accident caused by improper placement or installation of the speaker.

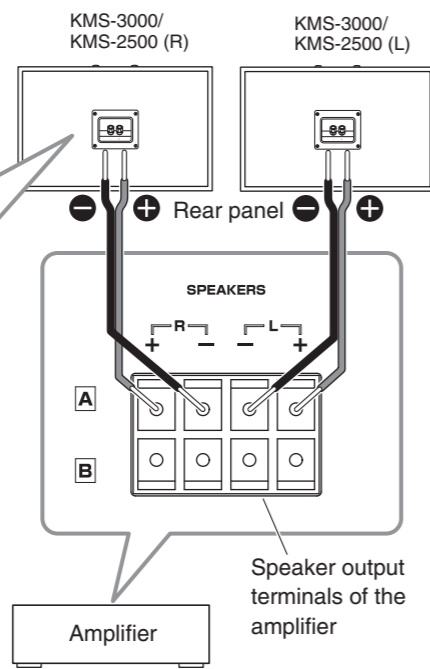
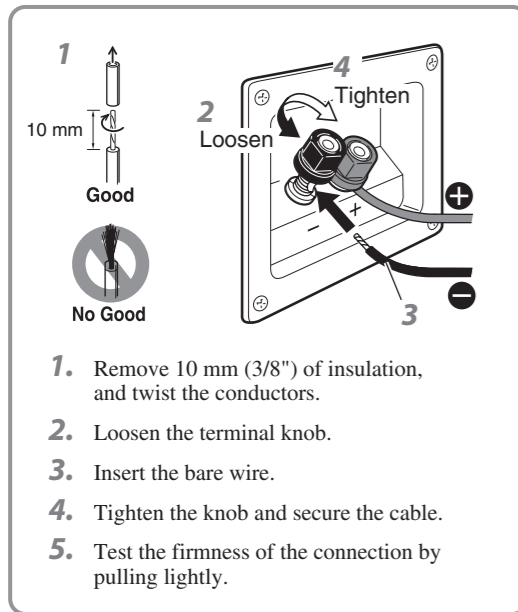
CONNECTING TO YOUR AMPLIFIER

Caution

BEFORE MAKING CONNECTIONS, MAKE SURE THAT THE AMPLIFIER IS SWITCHED OFF.

Connect the cables as shown below.

How to connect the speaker cables



Amplifier

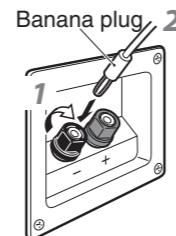
Speaker output terminals of the amplifier

When connecting the speaker cable

Notes

- Do not let the bare speaker wires touch each other as this could damage the speaker or the amplifier.
- Make sure you connect the speakers with the correct polarity—positive (+) terminals to positive (+) terminals, and negative (-) terminals to negative (-) terminals. If you get them crossed over, the sound will be unnatural and lack bass.
- Refer to the owner's manual that came with your amplifier.

When using a banana plug

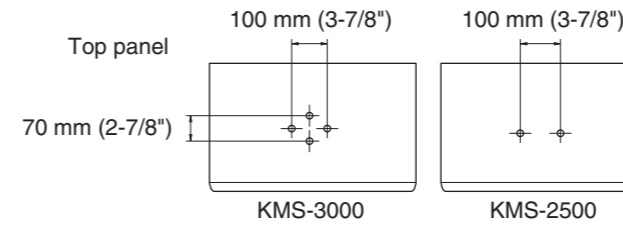


Note

Do not insert the insulation into the hole. Sound may not be produced.

MOUNTING THE SPEAKER TO A CEILING

You can also use the screw holes on the top of the speaker for installing the speaker on the ceiling by using commercially available mounting brackets. To fix the speaker to a mounting bracket, use the screws inserted to the screw holes of the speaker as the factory default status. If you use the commercially available screws, use the screws that matches to the following specifications:
 Screw type..... M8
 Screw length..... 35 mm (1-3/8") or more



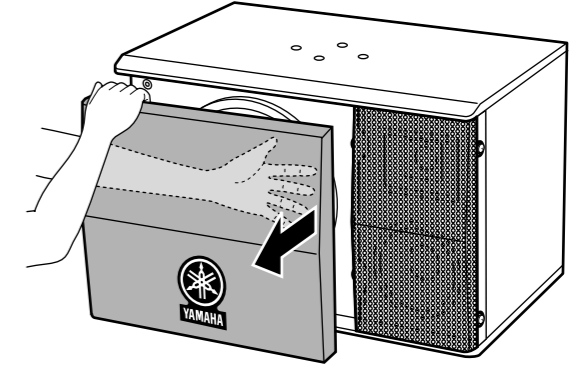
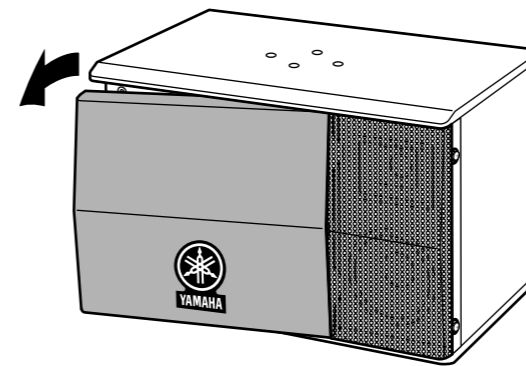
Caution

- The required length of a screw differs depending on the mounting bracket to be used. Select a screw which is suitable for use with the mounting bracket and can be fully inserted into the hole on the speaker.
- As this product is heavy, do not attach them to thin plywoods or soft wall surface materials, as the screws may tear free from flimsy surfaces, causing the speaker to fall and be damaged, or result in personal injury.
- Do not fasten the speaker to the ceiling with nails, adhesives, or other unsound hardware. Long-term use and vibrations may cause them to pull free.
- To avoid accidents resulting from tripping over loose speaker cables, fix these to the wall along with the speaker.

REMOVING THE SPEAKER GRILLE

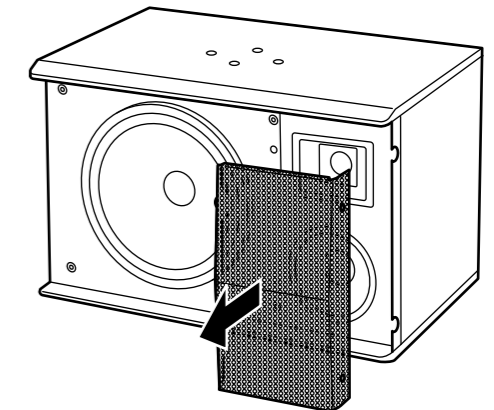
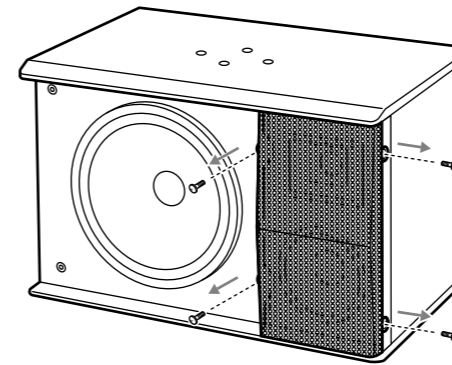
1. Remove the side of the fabric speaker grille.

2. Put your hands inside from the sides of the fabric speaker grille and remove the fabric front speaker grille by pushing up the other side.



3. Remove the 4 screws that hold the metal speaker grille.

4. Remove the metal speaker grille.



Note

Be careful not to scratch yourself with the edge of the speaker grille.

SPECIFICATIONS

	KMS-3000	KMS-2500
Type	3way bass reflex / Non magnetic shielding	
Driver	Tweeter	2.5cm (1") horn type x1
	Middle	12cm (4-4/5") cone type x1
	Woofer	30cm (12") cone type x1 25cm (10") cone type x1
Impedance	Nominal 8 Ω	
Frequency response	45 Hz to 30 kHz (-10 dB) 80 kHz (-30 dB)	50 Hz to 30 kHz (-10 dB) 80 kHz (-30 dB)
Crossover frequency	1.5 kHz, 4.5 kHz	1.5 kHz, 4.2 kHz
Rated input power	250 W	175 W
Maximum input power	1000 W	700 W
Sensitivity (2.83V, 1m)	89 dB	88 dB

	KMS-3000	KMS-2500
Input terminal	Screw / Banana	
Dimensions (W x H x D)	581x380x373.5 mm 22-7/8"x14-15/16"x14-7/10"	521x340x343.5 mm 20-5/8"x13-3/8"x13-13/25"
Weight	18 kg (39.7 lbs)	14 kg (30.9 lbs)
Finish	PVC Sheet	

- Specifications are subject to change without notice due to product improvements.
- Care should be taken not to exceed the input power values noted above.
- The woofer employs a material for the surround to achieve high sound quality. The useful life of the speaker surround depends on usage conditions and environment (especially ultraviolet radiation exposure and humidity), etc. When the speaker surround reaches the end of its useful life, refer to your dealer for replacement.