

YAMAHA AVS-700

Natural Sound AV Selector

10 Audio/5 Video Inputs, Including 4 S Video Terminals

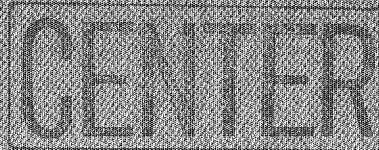
4 Audio/2 Video Rec Out Terminals

Ideally suited for use with the DSP-A700 Digital Sound Field Processing Amplifier

-20 dB Audio Muting

Wireless Remote Control Transmitter

Thank you for phasing the YAMAHA AVS-700 AV selector.



OWNER'S MANUAL

TABLE OF CONTENTS

Safety instructions	1
Caution	2
Supplied accessories	6
Controls and Their functions	6
Using the remote control transmitter	8
Connections	10
Basic operation	13
Troubleshooting	14
Specifications	Back cover

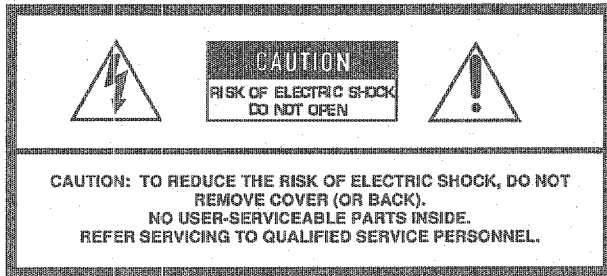
IMPORTANT

Please record the serial number of your unit in the space below.

Model: **AVS-700**

Serial No.:

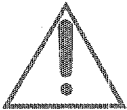
The serial number is located on the rear of the unit. Retain this Owner's Manual in a safe place for future reference.



• **Explanation of Graphical Symbols**



The lightning flash with arrowhead symbol, within an equilateral triangle, is intended to alert you to the presence of uninsulated "dangerous voltage" within the product's enclosure that may be of sufficient magnitude to constitute a risk of electric shock to persons.



The exclamation point within an equilateral triangle is intended to alert you to the presence of important operating and maintenance (servicing) instructions in the literature accompanying the appliance.

WARNING
TO REDUCE THE RISK OF FIRE OR ELECTRIC SHOCK, DO NOT EXPOSE THIS APPLIANCE TO RAIN OR MOISTURE.

SAFETY INSTRUCTIONS

1 Read Instructions — All the safety and operating instructions should be read before the appliance is operated.

2 Retain Instructions — The safety and operating instructions should be retained for future reference.

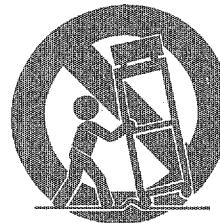
3 Heed Warnings — All warnings on the appliance and in the operating instructions should be adhered to.

4 Follow Instructions — All operating and other instructions should be followed.

5 Water and Moisture — The appliance should not be used near water — for example, near a bathtub, washbowl, kitchen sink, laundry tub, in a wet basement, or near swimming pool, etc.

6 Carts and Stands — The appliance should be used only with a cart or stand that is recommended by the manufacturer.

6A An appliance and cart combination should be moved with care. Quick stops, excessive force, and uneven surfaces may cause the appliance and cart combination to overturn.



7 Wall or Ceiling Mounting — The appliance should be mounted to a wall or ceiling only as recommended by the manufacturer.

8 Ventilation — The appliance should be situated so that its location or position does not interfere with its proper ventilation. For example, the appliance should not be situated on a bed, sofa, rug or similar surface that may block the ventilation openings; or placed in built-in installation, such as a bookcase or cabinet that may impede the flow of air through the ventilation openings.

9 Heat — The appliance should be situated away from heat sources such as radiators, stoves, or other appliances that produce heat.

10 Power Sources — The appliance should be connected to a power supply only of the type described in the operating instructions or as marked on the appliance.

11 Power-Cord Protection — Power-supply cords should be routed so that they are not likely to be walked on or pinched by items placed upon or against them, paying particular attention to cords at plugs, convenience receptacles, and the point where they exit from the appliance.

12 Cleaning — The appliance should be cleaned only as recommended by the manufacturer.

13 Nonuse Periods — The power cord of the appliance should be unplugged from the outlet when left unused for a long period of time.

14 Object and Liquid Entry — Care should be taken so that objects do not fall into and liquids are not spilled into the inside of the appliance.

CAUTION: READ THIS BEFORE OPERATING YOUR AVS-700

15 Damage Requiring Service — The appliance should be serviced by qualified service personnel when:

- A. The power-supply cord or the plug has been damaged; or
- B. Objects have fallen, or liquid has been spilled into the appliance; or
- C. The appliance has been exposed to rain; or
- D. The appliance does not appear to operate normally or exhibits a marked change in performance; or
- E. The appliance has been dropped, or the cabinet damaged.

16 Servicing — The user should not attempt to service the appliance beyond those means described in the operating instructions. All other servicing should be referred to qualified service personnel.

17 Power Lines — An outdoor antenna should be located away from power lines.

18 Grounding or Polarization — The precautions that should be taken so that the grounding or polarization of an appliance is not defeated.

1. To ensure the finest performance, please read this manual carefully. Keep it in a safe place for future reference.

2. Install your unit in a cool, dry, clean place — away from windows, heat sources, and too much vibration, dust, moisture, or cold. Avoid sources of hum (transformers, motors.). To prevent fire or electrical shock, do not expose to rain and water.

3. Never open the cabinet. If a foreign object drops into the set, contact your dealer.

4. Do not use force on switches, knobs or cords. When moving the unit, first disconnect the power plug and the cords connecting the other equipment. Never pull the cord itself.

5. Always set the volume control of the amplifier to "∞" or the attenuator of this AV selector to a minimum level while lowering the tonearm to play a record; turn the volume up with the stylus in the groove.

6. Do not attempt to clean the unit with chemical solvents; this might damage the finish. Use a clean, dry cloth.

7. Be sure to read the "troubleshooting" section on common operating errors before concluding that your unit is faulty.

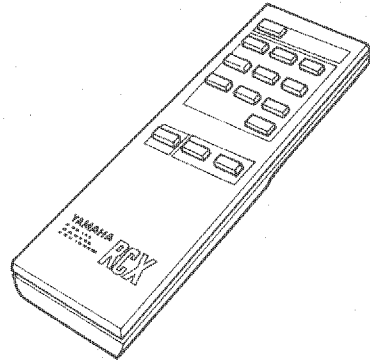
8. Grounding or polarization — The precautions should be taken so that the grounding or polarization of an appliance is not defeated.

9. Do not connect audio equipment to the AC outlets on the rear panel if that equipment requires more power than the outlets are rated to provide.

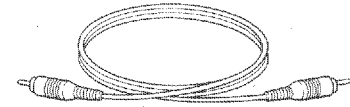
10. If your unit has a voltage selector (General model only), check that it is set to your local voltage before you plug it in. If not properly set, reset the switch to indicate your supply voltage.

1

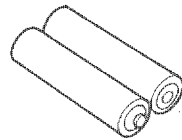
Remote control Transmitter



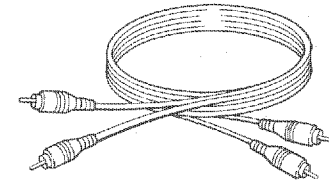
Video Cord



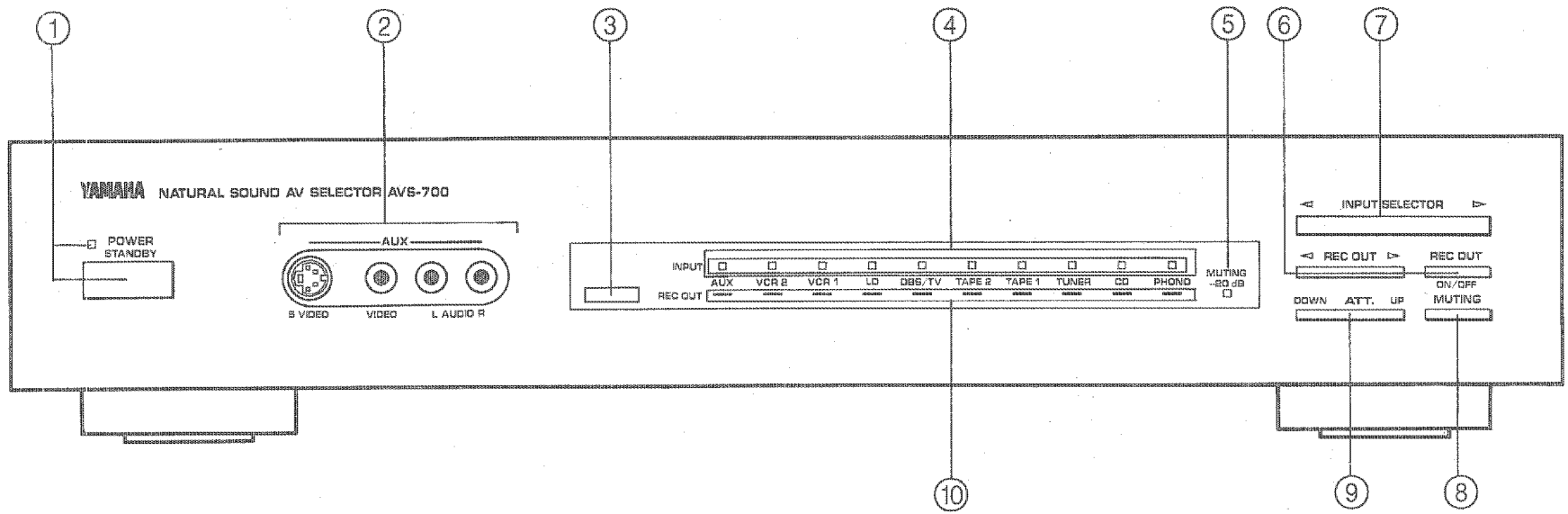
Batteries (size "AAA", R03)



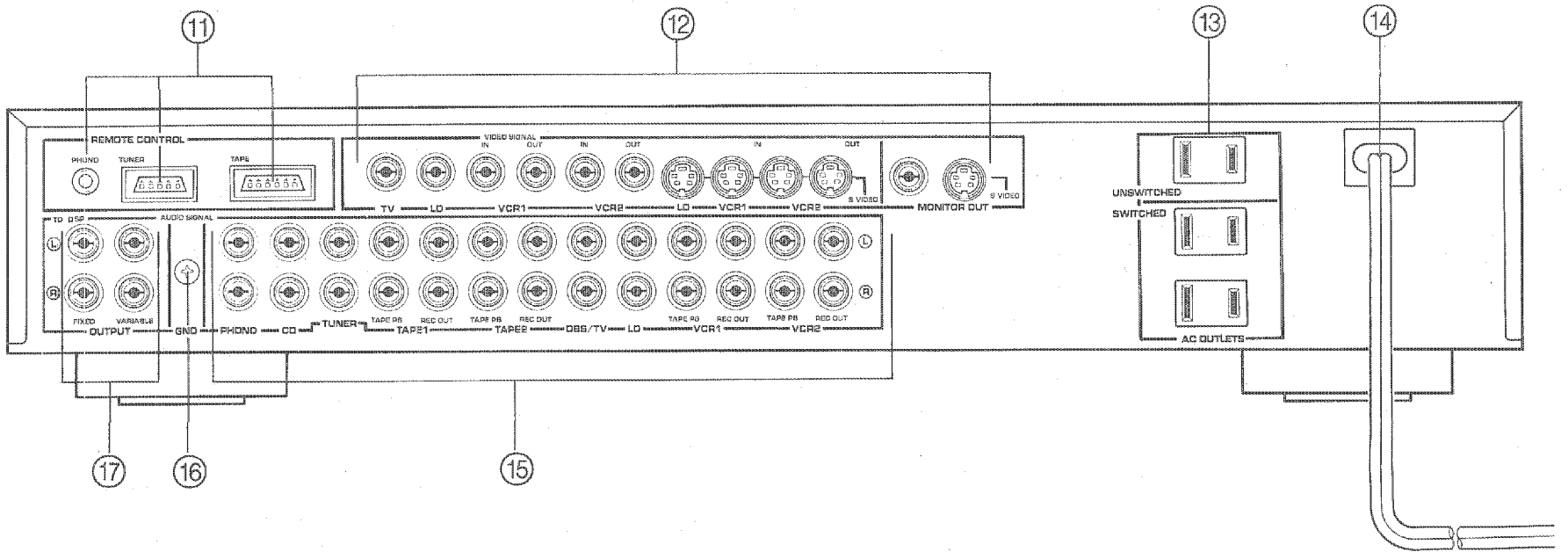
Audio Cord



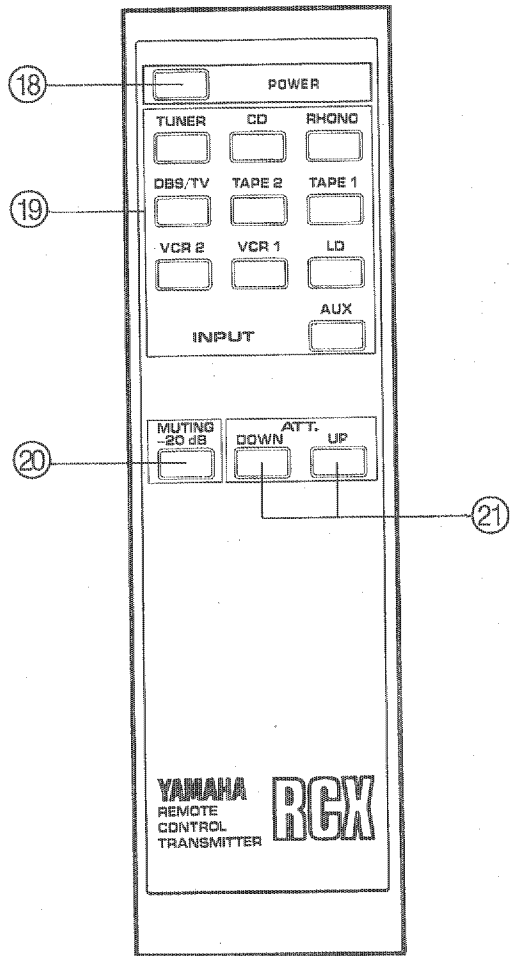
2



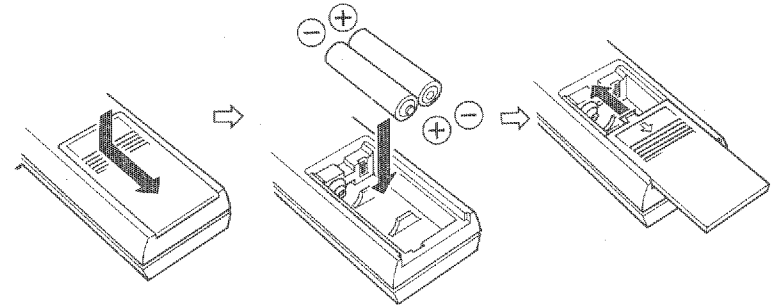
3



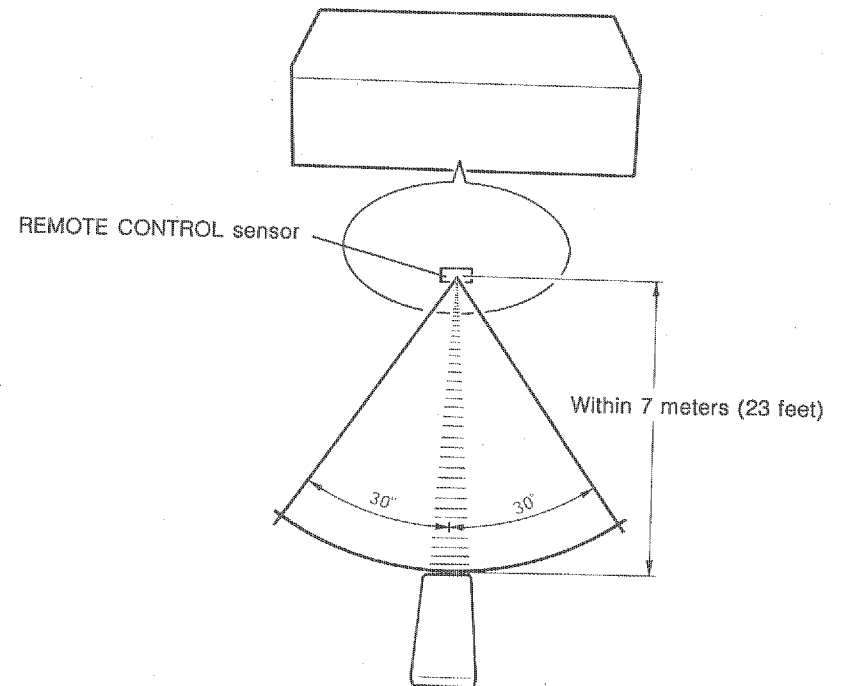
4



5



6



SUPPLIED ACCESSORIES

(See Fig. 1.)

After unpacking, check that the following parts are contained.

- Remote control transmitter x 1
- Batteries (size "AAA") x 2
- Video cord x 1
- Audio cord x 1

CONTROLS AND THEIR FUNCTIONS

■ FRONT PANEL (See Fig. 2.)

① POWER switch and indicator

This switch is used to turn the power to the unit on and off. Press it to supply power and light the POWER indicator. Press the switch again to turn the power off.

Notes on Stand-by mode

When the POWER key on the remote control transmitter is pressed to turn off the power instead of the POWER switch on the front panel, the POWER STANDBY indicator remains dimly lit. In this state, pressing the POWER key turns the power on and the POWER STANDBY indicator goes off.

To completely turn off the power, press the POWER switch on the front panel.

② AUX jacks

These jacks are used to connect an auxiliary video or audio input source, such as a video camera, to this unit. To obtain a high resolution picture, connect S input connector on a video camera, etc. to the S VIDEO connector.

③ REMOTE CONTROL sensor

This sensor is used to receive signals from the remote control unit.

④ INPUT indicators

When an input source is selected, the corresponding indicator lights.

⑤ Audio MUTING indicator

This indicator lights when Muting is engaged (from the remote control unit). By pressing the MUTE button on the front panel or the MUTE -20 dB key of the remote control transmitter, the sound level will be muted by 20 dB.

⑥ REC OUT selector and REC OUT ON/OFF button

The REC OUT selector is used to select the source to be recorded. The REC OUT ON/OFF button is used to turn on/off the output of the source signal selected with the REC OUT selector through the REC OUT jacks. They enable video/audio recording of any source, even while monitoring another. For details, see the "RECORDING" section described later.

⑦ INPUT SELECTOR buttons

This button is used to select the source you wish to monitor (Auxiliary, Video Cassette Recorder 1, Video Cassette Recorder 2, Laser Disc player/CD Video player, Television, Tape deck 2, Tape deck 1, Tuner, CD player or Turntable). When one of these sources is selected, the corresponding indicator lights.

⑧ Audio MUTING switch

This switch is used to decrease the sound level (muting) and to disengage the muting and return to the previous sound level.

When this switch is pressed, the sound level is muted by 20 dB. When this switch is pressed again, the sound level returns to the previous level.

⑨ ATT. (Attenuator) control

This control is used to adjust the volume level of the program source when the AV selector is connected to the amplifier using the VARIABLE OUTPUT jacks.

Press UP side of the control to increase the level and press DOWN side to decrease it.

⑩ REC OUT indicators

When the REC OUT ON/OFF button is on and the program source to be recorded is selected with the REC OUT selector, the corresponding indicator lights.

■ REAR PANEL (See Fig. 3.)

⑪ REMOTE CONTROL cable connectors

These connectors are used to connect compatible YAMAHA components (with an **RS** mark) to your AV selector for remote control of each component. The cables for each component are supplied with this unit.

PHONO — Connect to a turntable using the cable with a mini-plug connector.

TUNER — Connect to a tuner using the cable with a 5-pin connector.

TAPE — Connect to a cassette tape deck using the cable with a 6-pin connector.

⑫ VIDEO SIGNAL jacks

These jacks are used to connect the video signal cables from your components to the AV selector. They should be connected to the proper input/output jacks for each unit.

TV — Connect to a TV set.

LD — Connect to a Laser Vision Disc player or to a CD Video player.

VCR 1 — Connect to a Video Cassette Recorder for both recording and playback.

VCR 2 — Connect to a second Video Cassette Recorder for both recording and playback.

MONITOR OUT — Connect to the video IN terminal on a TV monitor.

VIDEO connectors

With the S VIDEO connections, a high resolution picture will be obtained, resulting in a much clearer reproduction.

S VIDEO MONITOR connector — Connect to the S input connector on a TV monitor.

S VIDEO LD connector — Connect to the S input connector on a laser vision disc player or to a CD video player.

S VIDEO VCR 1 connectors — Connect to a Video Cassette Recorder that has connectors for both recording and playback.

S VIDEO VCR 2 connectors — Connect to a second Video Cassette Recorder that has S connectors for both recording and playback.

NOTE:

When the S VIDEO connectors and the standard video signal jacks are connected at the same time, only the signals of the S VIDEO connectors are output and/or input.

⑬ AC OUTLETS

- The type of AC outlet is different according to the destination.
(Europe, U.K. and Australia models: switched x 1, unswitched x 1
USA, Canada and general models: switched x 2, unswitched x 1)

These outlets are used to connect the power cords from your components to the AV selector.

The power to the SWITCHED outlets is controlled by the AV selector's POWER switch. They will supply power to any component that is connected to them whenever the AV selector is turned on, whether by the front panel POWER switch or by the remote control unit POWER key. The total maximum power consumption of the components attached to these outlets must not exceed 300 watts (400 watts for USA and Canada models).

The power to the UNSWITCHED outlet is not controlled by the AV selector. It will continually supply power to any unit connected to it. The total maximum power consumption of the component attached to this outlet must not exceed 100 watts.

⑭ AC power cord

This cord is used to connect the AV selector to an AC wall outlet.

USING THE REMOTE CONTROL TRANSMITTER

15 Audio signal connection jacks

These jacks are used to connect the audio signal cables from your components to the AV selector. They should be connected to the proper input/output jacks for each unit. Be sure that the L and R channels are connected correctly.

PHONO — Connect to a turntable.

CD — Connect to a Compact Disc player.

TUNER — Connect to a tuner.

TAPE 1 — Connect to a cassette tape deck.

TAPE 2 — Connect to a second cassette tape deck.

TV — Connect to a TV set.

LD/CDV — Connect to a Laser Vision Disc player or a CD video player.

VCR 1 — Connect to a Video Cassette Recorder for both recording and playback.

VCR 2 — Connect to a second Video Cassette Recorder for both recording and playback.

16 GND terminal

Connect to the ground wire from a turntable.

17 OUTPUT jacks

These jacks are used to connect this unit to an amplifier.

FIXED — Connect to an amplifier (DSP-A700, etc.) equipped with the volume control.

VARIABLE — Connect to an amplifier not equipped with the volume control. The volume is controlled by this unit's VOLUME control.

(See Fig. 4.)

If the CD, LD/CDV player, tuner, turntable and cassette deck connected to your AV selector are YAMAHA components designed for remote control compatibility (components with an **RS** mark), then the remote control transmitter supplied with the DSP-A700 amplifier will also control various functions of each component. Please consult your YAMAHA dealer for information on which components are compatible with the remote control transmitter. Note that the amplifier's Remote Control transmitter will directly operate any compatible YAMAHA CD, LD/CDV player, and some Tuners or Cassette Decks bearing the **RS** mark.

OPERATION KEYS

18 POWER key

When this key is pressed to turn off the power instead of the POWER switch on the front panel, the POWER STANDBY indicator remains dimly lit. In this state, pressing the POWER key turns the power on and the POWER STANDBY indicator goes off.

19 INPUT selector keys

To monitor the equipment connected to the TUNER, CD, PHONO, TV, TAPE 2, TAPE 1, VCR 2, VCR 1, LD or AUX jacks of this unit, press the corresponding button.

20 MUTING key

This key is used to lower the output volume of the amplifier to a -20 dB level.

21 ATT. control keys

These keys are used to increase or decrease the volume level of a program source.

■ BATTERY INSTALLATION (See Fig. 5.)

The remote control unit uses 2 batteries (size "AAA", R03). Install them according to the illustration. Be sure that they are installed correctly.

■ BATTERY REPLACEMENT

When the remote controllable distance decreases the batteries are exhausted. Replace with 2 new batteries. Install the batteries with the correct (+) and (-) polarities as indicated in the battery compartment.

BATTERY PRECAUTIONS

Incorrect use of a battery may result in personal injury or remote control transmitter damage. Be aware of the following measures:

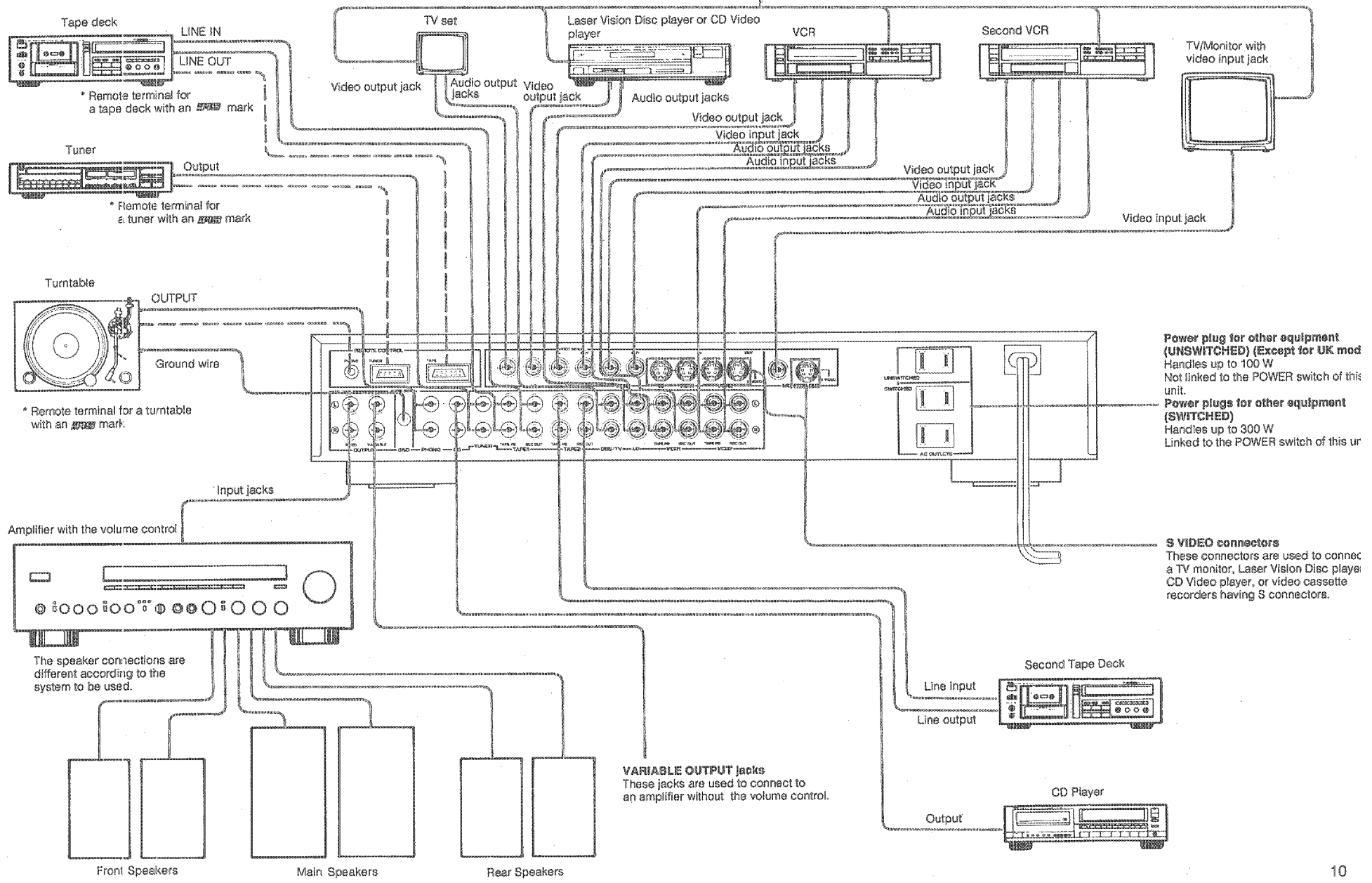
- Read all safety labels on batteries.
- Do not use an old battery with a new one.
- Do not mix battery types (alkaline, heavy duty, carbon, nickel cadmium, etc.).
- When the remote control transmitter will not be used for a long period of time, remove the batteries and store them in a cool, dry place.
- Do not short circuit, heat, disassemble, or dispose of batteries into a fire.
- If leakage occurs, thoroughly wipe off all electrolyte residue from the battery compartment. Replace with new batteries.

■ OPERATION RANGE (See Fig. 6.)

You must point the remote control unit toward the AV selector and be within about 7 meters (23 feet) of it for proper operation.

CONNECTIONS

System Connection Diagram



CONNECTIONS FOR EACH COMPONENT

- Remember to turn off the power to all of the units before making any connections.
- When making the connections, make sure that all of the cables are well away from sources of hum, such as the power cords or power transformers of other components.

Notes on REMOTE CONTROL terminals

The REMOTE CONTROL terminals are used when you have YAMAHA compatible components bearing the **RS** mark. If your AV selector is used with the YAMAHA DSP-A700 amplifier, the remote control transmitter supplied with the amplifier can directly control this AV selector. Also, when other components such as a turntable, a tuner and a cassette deck are connected with the REMOTE CONTROL terminals to this unit, the remote control transmitter supplied with the DSP-A700 amplifier can control those components as well.

Connect the remote control cables from the components to the correct terminals on your AV selector (i.e. PHONO, TUNER, TAPE).

Note that no cable is necessary for a CD or LD/CDV player as the remote control transmitter operates the player directly.

AMPLIFIER

Connect an amplifier which has the volume control to the FIXED OUTPUT jacks of this unit. If your amplifier does not have the volume control, connect the amplifier to the VARIABLE OUTPUT jacks of this unit.

AUDIO COMPONENTS

■ TURNTABLE

Connect the output cables of the turntable to the PHONO jacks, and connect the ground wire to the GND terminal on the rear panel of this unit. This should produce minimum hum, but in some cases better results are obtained with this wire disconnected. When a turntable bearing the **RS** mark is used, connect the remote control terminal on the turntable to the REMOTE CONTROL PHONO terminal on the rear panel of this unit, using the remote cable with mini-plug.

■ COMPACT DISC PLAYER

Connect the output jacks of the compact disc player to the CD jacks on the rear panel of this unit.

- The digital input jacks are not equipped with this unit.

■ TUNER

Connect the output jacks of the tuner to the TUNER jacks on the rear panel of this unit.

When a tuner equipped with the remote control terminal and bearing the **RS** mark is used, connect the remote control terminal on the tuner to the REMOTE CONTROL TUNER terminal on the rear panel of this unit, using the 5-pin remote control cable. With this connection, the remote control transmitter supplied with the DSP-A700 can control the tuner.

- * If your tuner bears the **RS** mark, and it can be directly operated with the remote control transmitter supplied with the DSP-A700, the remote control cable connections are not necessary.

■ TAPE DECK

Connect the cable from a cassette tape deck, or other audio tape unit, to the TAPE 1 jacks, and connect a second cassette tape deck or another audio tape unit to the TAPE 2 jacks. The playback (LINE OUT) jacks of the cassette deck go to the TAPE PB jacks, and the record (LINE IN) jacks go to the REC OUT jacks on the rear panel of this unit. When a cassette deck equipped with the remote control terminal and bearing the **RS** mark is used, connect the remote control terminal on the cassette deck to the REMOTE CONTROL TAPE terminal on the rear panel of this unit, using the 6-pin remote control cable. With this connection the remote control transmitter supplied with the DSP-A700 can control the cassette deck.

- * If your cassette deck bears the **RS** mark, and it can be directly operated with the remote control transmitter supplied with the DSP-A700, the remote control cable connections are not necessary.

VIDEO COMPONENTS

■ TV SET

Connect the video output jack from the TV set to the TV VIDEO SIGNAL jack on the rear panel of this unit and connect the audio output jacks from the TV set to the TV AUDIO SIGNAL jacks.

■ LASER VISION DISC PLAYER/CDV PLAYER

Connect the video output jack from the laser vision disc player/CD video player to the LD/CDV VIDEO SIGNAL jack and connect the audio output jacks from the laser vision disc player/CD video player to the LD/CDV AUDIO SIGNAL jacks.

When using the S connector

- When a laser vision disc player or a CD video player that has an S video connector is used, connect S VIDEO LD/CDV connector. With the S video connections, a high resolution picture will be obtained, resulting in much clearer reproduction.

■ VCR (Video Cassette Recorder)

Connect the video jacks of the VCR to the VCR 1 VIDEO SIGNAL jacks, and connect the video jacks of a second VCR to the VCR 2 VIDEO SIGNAL jacks on the rear panel of this unit. The video playback (VIDEO OUT) jack of the VCR goes to the IN jack, and the video record (VIDEO IN) jack goes to the OUT jack. Connect the audio output jacks of the VCR to the VCR 1 AUDIO SIGNAL jacks, and connect the audio output jacks of a second VCR to the VCR 2 AUDIO SIGNAL jacks.

The audio playback (AUDIO LINE OUT) jacks of the VCR go to the TAPE PB jacks, and the audio record (AUDIO LINE IN) jacks go to the REC OUT jacks.

When using the S connector

- When a VCR that has S connectors is used, connect the S VIDEO connectors. With the S VIDEO connections, a high resolution picture will be obtained, resulting in a much clearer reproduction. Connect the S output connector of the VCR to the S VIDEO IN connector in the VCR 2 section on the rear panel of this unit, and connect the S input connector of the VCR to the S VIDEO OUT connector. Connect the S output connector of the VCR only for playback to the S VIDEO IN connector in the VCR 1 section on the rear panel of this unit.
- Keep the VCR IN and OUT jacks, and TAPE PB and REC OUT jacks connected between the VCR and this unit. If the second VCR has S connectors, connect the S output and input connectors to the S VIDEO IN and OUT connectors in the VCR 2 section on the rear panel of this unit in the same way.

■ TV MONITOR

Connect the video jack from the TV monitor to the MONITOR OUT jack on the rear panel of this unit. Note that audio connections to the monitor are not necessary, as the audio portion of the signal is sent to your speakers through the amplifier.

When using the S connector

- When a monitor that has an S video connector is used, connect S VIDEO MONITOR OUT connector. With the S VIDEO connections, a high resolution picture will be obtained, resulting in a much clearer reproduction.

■ OTHER VIDEO SOURCE

If necessary, you can connect a third video input source, such as a video camera, to the AUX jacks on the front panel of this unit. To obtain a high resolution picture, connect S input connector on a video camera, etc. to the S VIDEO connector.

VIDEO SIGNAL jacks and S VIDEO connectors

- The S VIDEO input/output connectors and the conventional RCA pin-type video signal jacks provided on this unit are connected to completely separate circuits and function independently of each other.
- The INPUT SELECTOR is coupled to both the S VIDEO inputs and the pin-jack inputs. When a program source with no S VIDEO input is selected, no signal is output to the MONITOR OUT S VIDEO connector.
- In cases where both the S VIDEO input connectors and the pin-type input jack of VCR 1 (or VCR 2) are connected, when the INPUT SELECTOR is set to VCR 1 (or VCR 2), signals are output to both the MONITOR OUT S VIDEO connector and the MONITOR OUT pin jack. In this case, you must select whether to monitor the S video signal or the pin jack signal on the monitor TV side.
- Caution concerning use of S VIDEO connectors
DUE to the circuit configuration of this unit, do not leave the S VIDEO connection cable plugged into the VCR 2 S VIDEO OUT connector if the other end of the cable is not connected to the VCR component.

POWER CORDS

1. Connect the power cord of your tuner, cassette deck or other component to one of the two SWITCHED AC OUTLETS to automatically turn it on when the AV selector is turned on.
The maximum total power consumption of the components connected to the SWITCHED AC OUTLETS must not exceed 300 watts.
2. Connect the power cord of your VCR or other unit to the UNSWITCHED AC OUTLET to supply power to it constantly. The maximum power consumption of the unit connected to the UNSWITCHED AC OUTLET must not exceed 100 watts.
3. Make sure that the power cords are not tied together with the input/output cables.
4. Connect the power cord of your AV selector to an AC outlet.

TO PLAY A PROGRAM SOURCE

1. Press the POWER switch to turn the unit ON.
2. For video sources, turn the TV monitor ON.
3. Select the program source to be heard or watched with the INPUT SELECTOR button.
4. Play the program source.
5. Adjust the sound with the controls on the amplifier.
 - Use the MUTING key on the remote control transmitter to lower the overall system volume to the -20 dB level. This lets you lower the volume (to answer the phone, for example) without disturbing the main volume setting.

RECORDING

The setting of the ON button and the REC OUT selector enable you to make various recordings.

1. Press REC OUT ON/OFF button to make the REC OUT selector operative.
2. Select the program source to be recorded using the REC OUT selector.
3. Play the program source to be recorded and set the tape deck or video cassette recorder to record mode.
 - When you wish to listen to and/or watch the same source you are recording, select the corresponding source with the INPUT SELECTOR button.
 - During cassette deck recording, the sound to be recorded will be heard by setting the INPUT SELECTOR button to the corresponding TAPE 1 or TAPE 2 position.
During VCR recording, the sound and picture to be recorded will be heard and watched by setting the INPUT SELECTOR button to the corresponding VCR 1 or VCR 2 position.
 - Since the REC OUT selector is independent from the INPUT SELECTOR button, you can listen to and/or watch a source other than the one you are recording. Select the desired source with the INPUT SELECTOR button.

TROUBLESHOOTING

If the unit fails to operate normally, check the following points to determine whether the fault can be corrected by the simple measures suggested. If it cannot be corrected, or if the fault is not listed in the SYMPTOM column, disconnect the power cord and contact your dealer or service center for help.

SYMPTOM	CAUSE	REMEDY
The amplifier fails to turn on when the POWER switch is pressed.	<ul style="list-style-type: none"> ● Power cord is not plugged in or is not completely inserted. 	<ul style="list-style-type: none"> ● Firmly plug in the power cord.
No sound.	<ul style="list-style-type: none"> ● Incorrect output cord connections. 	<ul style="list-style-type: none"> ● Connect cord properly. If the problem persists, the cables may be defective.
	<ul style="list-style-type: none"> ● Incorrect amplifier operation. 	<ul style="list-style-type: none"> ● Set the amplifier controls to the correct input selection.
Sound "hums".	<ul style="list-style-type: none"> ● Incorrect cable connections. 	<ul style="list-style-type: none"> ● Firmly connect the audio plugs. If the problem persists, the cord may be defective.
No picture.	<ul style="list-style-type: none"> ● Incorrect cord connections. ● Wrong video unit selected. ● Video unit not turned on. 	<ul style="list-style-type: none"> ● Connect the video plugs correctly. ● Select correct video unit. ● Turn video unit on.

SPECIFICATIONS

AUDIO SECTION

Input Sensitivity/Impedance

PHONO MM	2.5 mV/47 k-ohms
CD etc.	150 mV/47 k-ohms

Maximum Input Signal

PHONO MM, 1 kHz	110 mV
-----------------------	--------

Output Level/Impedance

REC OUT	150 mV/1.6 k-ohms
OUTPUT	150 mV/1 k-ohms
Maximum Voltage Output (20 Hz ~ 20 kHz, 0.1% THD)	3V

Frequency Response

20 Hz to 20 kHz, CD etc.	+0, -0.5 dB
-------------------------------	-------------

RIAA Equalization Deviation

PHONO MM	±0.5 dB
----------------	---------

Total Harmonic distortion

PHONO MM, 3 V	Less than 0.005%
CD etc. to FIXED OUT, 1 V	Less than 0.008%

Signal to Noise Ratio (IHF-A Network)

(FIXED OUT)

PHONO MM (5 mV Input Shorted)	More than 78 dB
	More than 70 dB
	(Europe, U.K. and Australia models)

CD etc. (Shorted)	More than 96 dB
-------------------------	-----------------

Residual Noise (IHF-A Network)

.....	50 µV
-------	-------

Channel Separation (Vol. -30 dB, 1 kHz/10 kHz)

PHONO MC, MM input shorted	70 dB/60 dB
CD etc. input 5.1 k-ohms terminated	70 dB/60 dB
Audio Muting	-20 dB

GENERAL

Power Supply

Europe Model	AC 220V, 50 Hz
General Model	AC 110/120/220/240V, 50/60 Hz
U.K. and Australia Models	AC 240V, 50 Hz
USA and Canada Models	AC 120V, 60 Hz

Power Consumption

.....	12 W
-------	------

AC Outlets

Switched x 2	300W max. (Total) (General model) 400 W max. (Total) (USA and Canada model)
--------------------	--

Switched x 1	300W max. (Europe, U.K. and Australia model)
--------------------	---

Unswitched x 1	100W max.
----------------------	-----------

Dimensions (W x H x D)	435 x 84 x 363 mm (17-1/8" x 3-3/4" x 13-1/4")
------------------------------	---

Weight	4.2 kg (11 lbs. 0 oz)
--------------	-----------------------

Accessories	Video cord x Audio cord x Remote control transmitter x Battery (size "AAA", R03) x
-------------------	---

Specification subject to change without notice.

YAMAHA ELECTRONICS CORPORATION, USA 6722 ORANGETHORPE AVE., BUENA PARK, CALIF. 90620, U.S.A.
 YAMAHA CANADA MUSIC LTD. 135 MILNER AVE., SCARBOROUGH, ONTARIO M1S 3R1, CANADA
 YAMAHA ELECTRONIK EUROPA G.m.b.H. 2084 RELLINGEN, BEI HAMBURG, SIEMENSSTR. 22/34, F.R. OF GERMANY
 YAMAHA ELECTRONIQUE FRANCE S.A. 17 RUE DES CAMPANULES, LOGNES 77321 MARNE LA VALLEE CEDEX 2, FRANCE
 YAMAHA ELECTRONICS (UK) LTD. YAMAHA HOUSE, 200 RICKMANSWORTH ROAD WATFORD, HERTS WD1 7JS, ENGLAND
 YAMAHA SCANDINAVIA A.B. J A WETTERGRENS GATA 1, BOX 30053, 400 43 VÄSTRA FRÖLUNDA, SWEDEN
 YAMAHA MUSIC AUSTRALIA PTY, LTD. 17-33 MARKET ST., SOUTH MELBOURNE, 3205 VIC., AUSTRALIA

YAMAHA

YAMAHA CORPORATION

10-1 NAKAZAWA-CHO, HAMAMATSU, JA
 VI21560-0 Printed in Japan BWgW, BI