



Read this before use

SPEAKER STAND SPS-10MM

ASSEMBLY INSTRUCTIONS

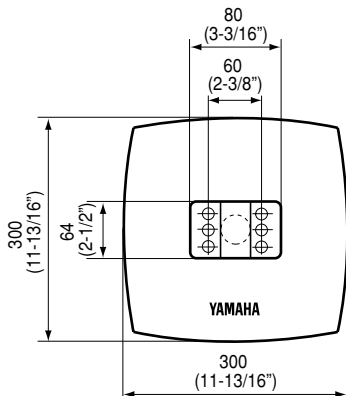
Thank you for selecting the Yamaha SPS-10MM speaker stand.

PRECAUTIONS

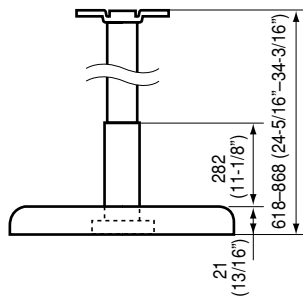
- This speaker stand is only for the speaker systems listed in "USABLE SPEAKERS" below. Do not use the speakers other than these listed.
- To prevent the speaker from falling, use the screws and parts provided with the stand.
- To prevent the speaker stand from falling over, select a location which is flat and stable.
- To avoid accidents resulting from tripping over loose speaker cables and to prevent the speaker stand from falling over, fix the speaker cables to the wall, etc.
- Do not let the children lean on the stand as this might cause the serious accidents resulting from the falling over of the speaker stand.
- To prevent the speaker stand from discoloring and warping, keep the speaker stand away from the stoves and places where it will be exposed to direct sunlight, etc.
- Do not attempt to clean the speaker stand with chemical solvents as this might damage the finish. Use a clean, dry cloth.
- Secure placement or installation is the owner's responsibility. YAMAHA shall not be liable for any accident caused by improper placement or installation of speakers.

■ DIMENSIONS (mm/inch)

Top view



Front view



■ SPECIFICATIONS

Dimensions (W x H x D) : 300 x 618 – 868 x 300mm
(11-13/16" x 24-5/16" – 34-3/16" x 11-13/16")

Weight : 1.6 kg (3 lbs. 8 oz.)

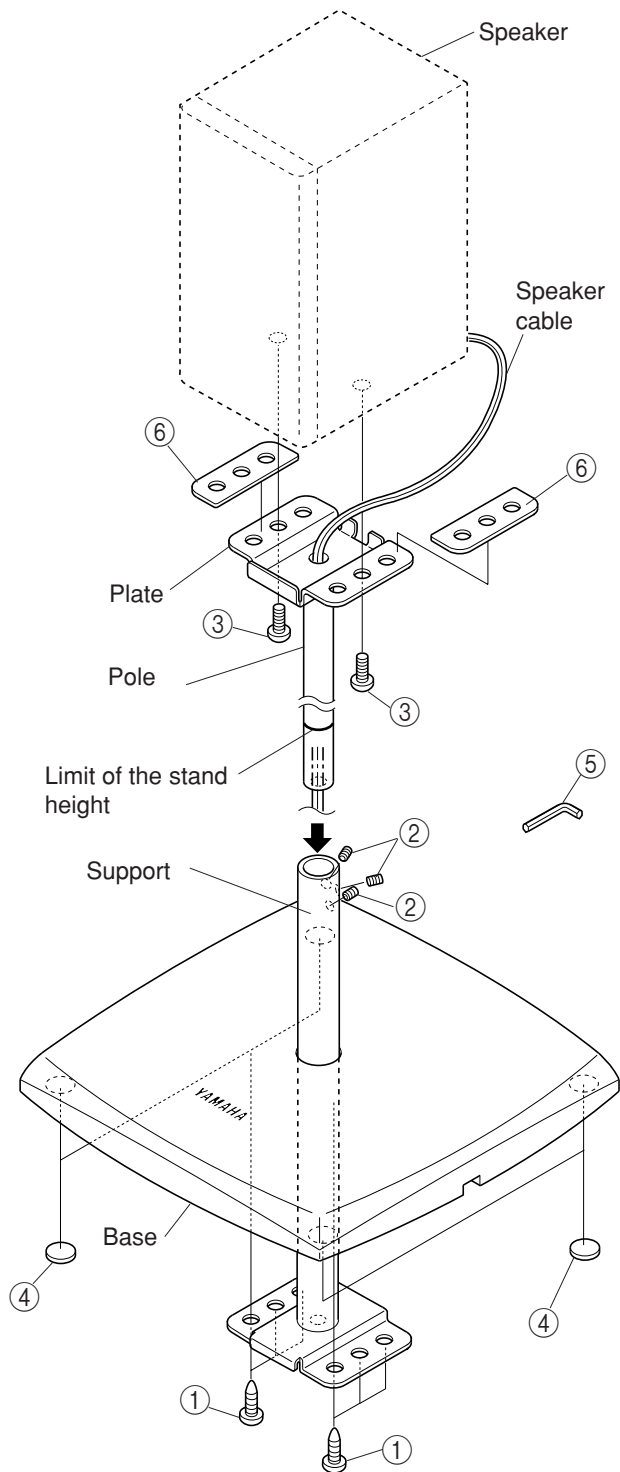
■ USABLE SPEAKERS

- NS-10MM
- NS-10MMT
- NX-220P
(the main and rear speakers included in the NS-P220 speaker package)
- NS-E104
(the rear speakers included in the NS-P320 speaker package)
- NS-E114
(the rear speakers included in the NS-P326 speaker package)
- NX-S100S
(the front and rear speakers included in the DVX-S100 sound system)

ASSEMBLY PROCEDURES

Before beginning assembly, check the parts list and make sure all the parts are included.

ASSEMBLY FIGURE



PARTS LIST

NAME	PARTS NOS.	QUANTITY
① + self-binding tapping screws (4 x 12)	EP040090	12
② Hexagon socket set screws	VV249400	7
③ + self-binding screws (4 x 8)	EG340360	4
④ Pads	VV249200	8
⑤ Wrench (hexagonal)	VV249500	1
⑥ Gaskets	VV249300	4

ASSEMBLY PROCEDURES

(You will need a screwdriver for assembly.)

1. Attaching the base and support.

Pass the support through the hole from the bottom of the base, and fasten the + self-binding tapping screws ①.

- Fix the support so that the holes for the screws comes to the rear side.
- Do not overtighten the + self-binding tapping screws ①. Doing so may damage the screws or assembly.

2. Attaching the pole and support.

Insert the pole to the support, and fasten the hexagon socket set screws ② into the three hole on the support using the included wrench ⑤.

- The line on the pole shows the limit of the stand height. Do not use the stand pulling out the pole above from this line. The hexagon socket set screw ② of the lower side becomes ineffective and the fixation becomes unstable.

3. Attaching the pads.

Put the pads ④ to the four corners on the bottom of the base to prevent the stand from moving rickety.

4. Attaching the gaskets.

Put the gaskets ⑥ to the both side of the plate.

5. Wiring the speaker cables.

Insert the speaker cables to the hole on the plate, and aligned them to the grooved part on the bottom of the base.

6. Attaching the speakers.

Line up the holes on the bottom of the speaker and the center hole on the plate, and fasten the + binding screws ③.

- In order to ensure that the speakers do not fall, always hold the speakers while attaching the speakers.