

DME Satellite C Series

Audio I/O Distribution and DSP Expansion Units



DME8i-C



DME8o-C



DME4io-C



DME8i-C Rear Panel

AMX CRESTRON CobraNet



1U

Extensive I/O and processing expansion for DME64N/DME24N systems and CobraNet networks.

- Vastly expand the capabilities and capacity of a DME-based sound system, or any other networked audio devices that use CobraNet™.
- Controllable remote I/O plus powerful DSP processing capability allow distributed processing for unprecedented system design flexibility and power.
- Reduce system cabling costs while maximizing overall reliability.
- Also usable as stand-alone processors in smaller systems.
- Full 24-bit 96-kHz audio processing, plus the same highly-acclaimed analog circuitry used in the DME24N.
- Supplied DME Designer software application can be used to control, monitor, and create complete processing “configurations” in the same way as with the DME64N or DME24N.
- 8-in/4-out GPI terminals allows direct, easy connection to wall-mountable CP4SF control panels featuring four switches and four faders.

OPTIONS

REMOTE CONTROL PANELS

ICP1

Intelligent Control Panel

The most sophisticated of the DME series remotes, the ICP1 connects via Ethernet. Functions include scene recall and six user-defined keys at the top and bottom of the LCD screen, which can be assigned to DME parameters such as microphone and music source levels. Up to 4 sets of “pages” are available - giving up to 24 parameters. LCD display shows names and scenes and function keys in five languages - English, German, French, Spanish and Japanese.



CP4SF

Four switches and four faders control panel

Wall-mountable remote control panel for GPI control. Uses a standard (US-type) 3 gang wall box.



CP4SW

Four switches control panel

Wall-mountable remote control panel for GPI control. Uses a standard (US-type) 1 gang wall box.



CP1SF

One switch and one fader control panel

Wall-mountable remote control panel for GPI control. Uses a standard (US-type) 1 gang wall box.



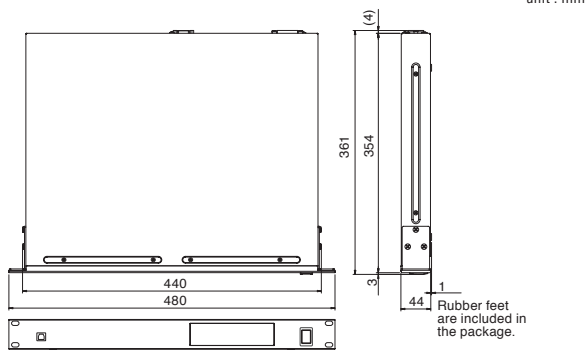
DME Satellite C Series

GENERAL SPECIFICATIONS

Scene	999
Sampling frequency rate	As a Conductor: 48kHz, 96kHz (±37ppm) As a Performer : 48kHz, 96kHz (±50ppm)
Signal delay	2.12ms@96kHz(CobraNet Latency=1.33ms) 3.45ms@96kHz(CobraNet Latency=2.67ms) 6.12ms@96kHz(CobraNet Latency=5.33ms) (From Analog Input to Analog Output through CobraNet)
Total harmonic distortion*1	Less than 0.05%, 20Hz to 20kHz @+14dBu into 600Ω
Frequency response	20Hz - 20kHz, +0.5, -1.5dB, @+4dBu into 600Ω (@fs=48kHz) 20Hz - 40kHz, +0.5, -1.5dB, @+4dBu into 600Ω (@fs=96kHz)
Dynamic range	106dB typ. AD+DA
Hum & noise level (20Hz to 20kHz), Rs=150Ω	-82dBu residual noise
Crosstalk (@1kHz)	-80dB input to output
Phantom Power	+48V
Power requirements	AC100V-240V 50Hz/60Hz
Power consumption	40W
Dimensions (W x H x D)	480 x 44 x 361mm (18.9" x 1.7" x 14.2") 1U
Weight	4.4kg (9.7lbs)

*1 Total harmonic distortion is measured with a 18dB/Oct filter @80kHz.
*2 Hum & noise level is measured with a 6dB/oct filter @12.7kHz; equivalent to 20kHz filter with infinite dB/Oct attenuation.

DIMENSIONS



ANALOG INPUT SPECIFICATIONS

Input terminal	GAIN	Actual load impedance	For use with nominal	Input level		Connector
				Nominal	Max. before clip	
INPUT	-60dB	3Ω	50-600Ω Mics & 600Ω Lines	-60dBu	-40dBu	Euroblock*
	+10dB			+10dBu	+30dBu	

ANALOG OUTPUT SPECIFICATIONS

Output terminal	Actual Source Impedance	For use with nominal	Output level		Connector
			Nominal	Max. before clip	
OUTPUT	75Ω	600Ω	+4dBu	+24dBu	Euroblock*

DIGITAL INPUT AND OUTPUT SPECIFICATIONS

Terminal	Format/Level	IN/OUT	Connector
CobraNet	CobraNet / 100base-TX	16IN / 16OUT	RJ-45x2 (Primary, Secondary)

CONTROL I/O SPECIFICATIONS

Terminal	Format	Level	Connector
GPI 8IN/4OUT	IN	—	0V-5V
	OUT	—	TTL
	+V	—	5V
ETHERNET	IEEE802.3	—	RJ-45
USB	USB1.1	0V-3.3V	B type USB Connector
REMOTE	—	RS232C/RS422	D-Sub Connector 9P (Male)

COMPONENT LIST

Category	Component
Delay	Long, Short
	Gate, Ducking, Expander, Componder,
Dynamics	Compressor, De-Esser, Limiter
	BPF, HPF, LPF, Notch
Filter	PEQ, GEQ
EQ	
Fader	
Pan	LR, LCR, 3-1, 5.1, 6.1
Meter	
Mixers	Simple Mixer
	Auto Mixer (II)
	Matrix Mixer
	Delay Matrix
I/O functions	Analog I/O
	CobraNet I/O (16IN/16OUT)
Source	Oscillator
	Wav File Player
Routing functions	Router
Crossover	Crossover
	Crossover processor (II)
Speaker Processor	Speaker Processor
Other functions	Room Combiner
	Ambient Noise Compensator
	Audio Detector
	Auto Gain Control
	Event Scheduler
	Program Ducker